



Model: See scope

Serial #: N/A

Mar. 27, 2023

Product Bulletin # DW-017 Rev 1

Alert



DW Cable Slips Inspection

Issue

We have been made aware of cracks found in the cable slips (cable grips) while inspecting the drill line clamp assembly during the slip and cut operation.

Scope

- The cable slip (P/N: 47805) is used in the drill line clamp assembly (see Figure 1 and Figure 2) for 1-5/8" drill line.
- The cable slip (P/N: 47805) may be installed on a variety of drawworks models.

Recommended Actions

- Visually inspect the cable slips, look for indication the cable has slipped. Ensure these components have not been damaged or cracked.
- Replace all damaged or cracked components with new components.
- Contact Canrig Part Sales to order replacements: part.sales@canrig.com.

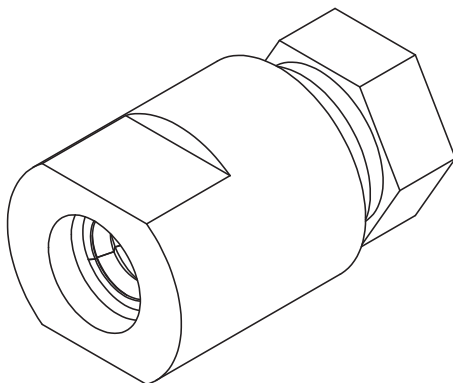


Figure 1: Clamp assembly

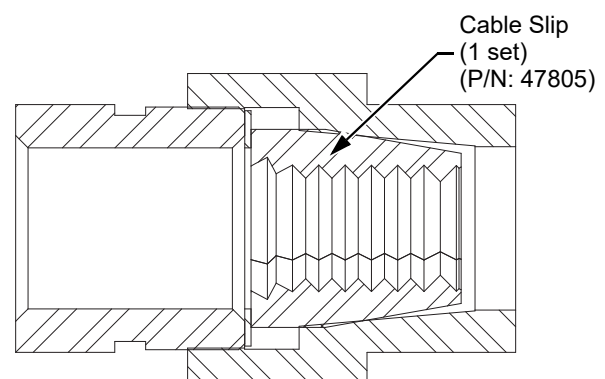


Figure 2: Section view of clamp assembly to show the cable slip/cable grip (1 set)